

INSTALLATION AND SERVICE DIVISION

RCA MANUFACTURING CO., INC.

CAMDEN, N. J.

MI-9204

1940

CLASSIFICATION Technical - Photophones - Amplifiers

DATE September 12, 1940

SUBJECT: MI-9204/9260-B AMPLIFIERS (PG-129)

NUMBER SL-203-25.01

Page #1 of 4 pages

The subject units comprise the audio amplifying equipment of the PG-129 Theatre Sound Reproducing Equipment. The equipment uses a single MI-9204 pre-amplifier and an MI-9260-B power amplifier. Fading is accomplished by means of switching AC to the respective exciter lamps.

ELECTRICAL AND MECHANICAL SPECIFICATIONS

Application Theatre Sound Reproduction
 Voltage Rating 105-125 Volts
 Power consumption at 125 volts 210 Watts
 Input Impedance
 MI-9204 (Grid to Gnd.) 110,000 Ohms
 MI-9260 (Grid to Gnd.) 560,000 Ohms
 Load Impedance
 MI-9356 (0 to 15) 15 Ohms
 (0 to 60) 60 Ohms
 MI-9260 (C to LF) 250 Ohms
 (C to HF) 250 Ohms
 Power output at 2% harmonic distortion (50 to 5,000 c.p.s.) 18 Watts
 Average overall gain (500 ohm source to 15 ohm output) 87 db
 Average overall gain (110,000 ohm source to 15 ohm output) 110.4 db
 Output level (.0125 watt zero reference level) 31.5 db
 (.006 watt zero reference level) 34.7 db
 Input Level (Max. permissible for 5% distortion) 0.18 volt
 (Min. for normal power output .0125 watt zero reference level) - 78.9 db
 (Min. for normal power output .006 watt zero reference level) - 75.7 db
 Overall noise level (15 ohm load .0125 watt zero reference level) (input open) - 21.2 db
 (15 ohm load .006 watt zero reference level) (input open) - 18 db
 Frequency Response See MI-9202/9260. SL-203-21.01 & -01-A

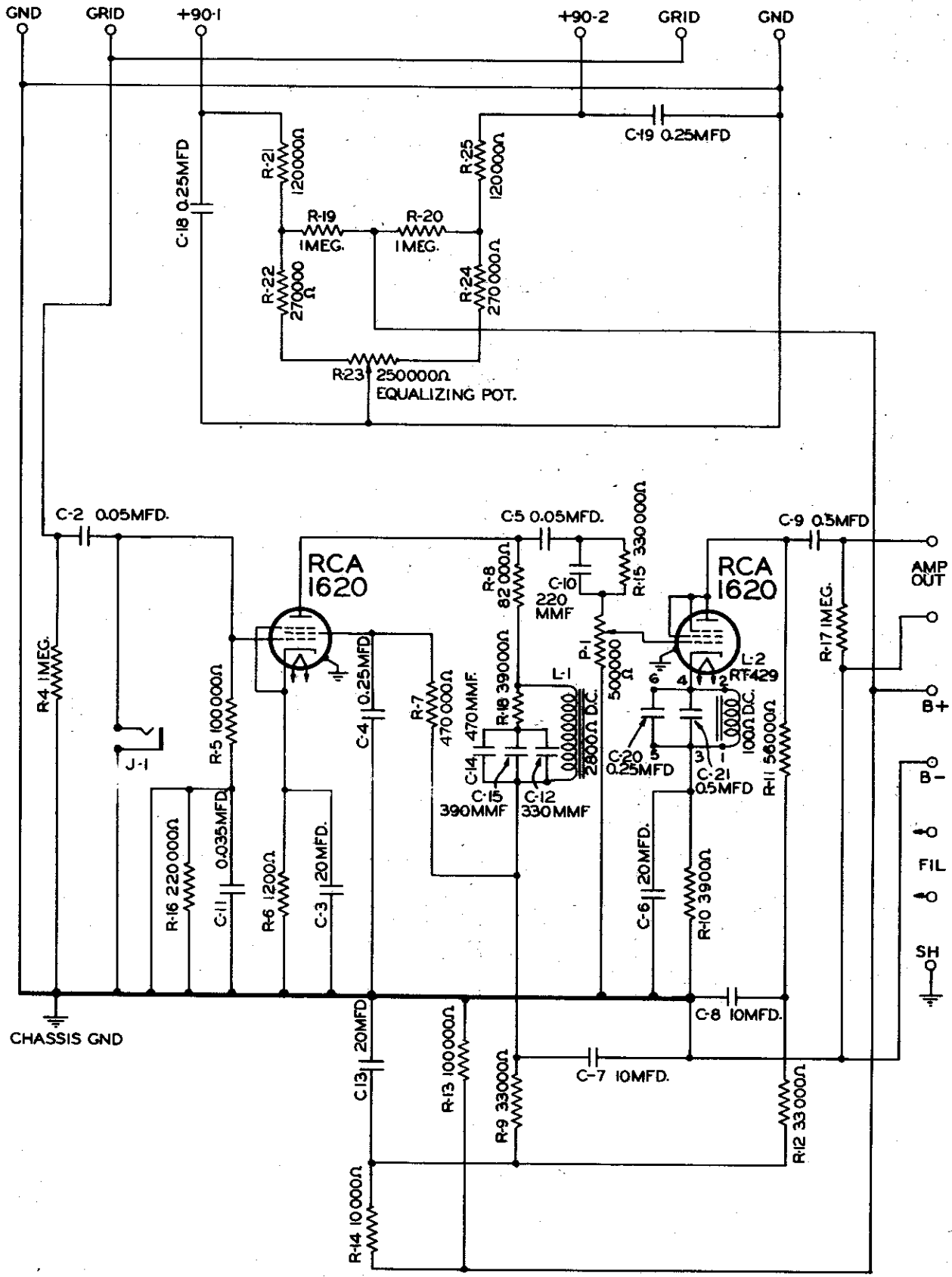
MI-9204	MI-9260-B
Height 10-1/8 inches	Height 22 inches
Width 7-5/8 inches	Width 18-1/8 inches
Depth 8 inches	Depth 12 inches
Weight 12 pounds	Weight 89 pounds

RADIOTRON SOCKET VOLTAGES

110 Volt A-C Line. 110 Volt Transformer Tap. 20,000-ohms-per-volt meter

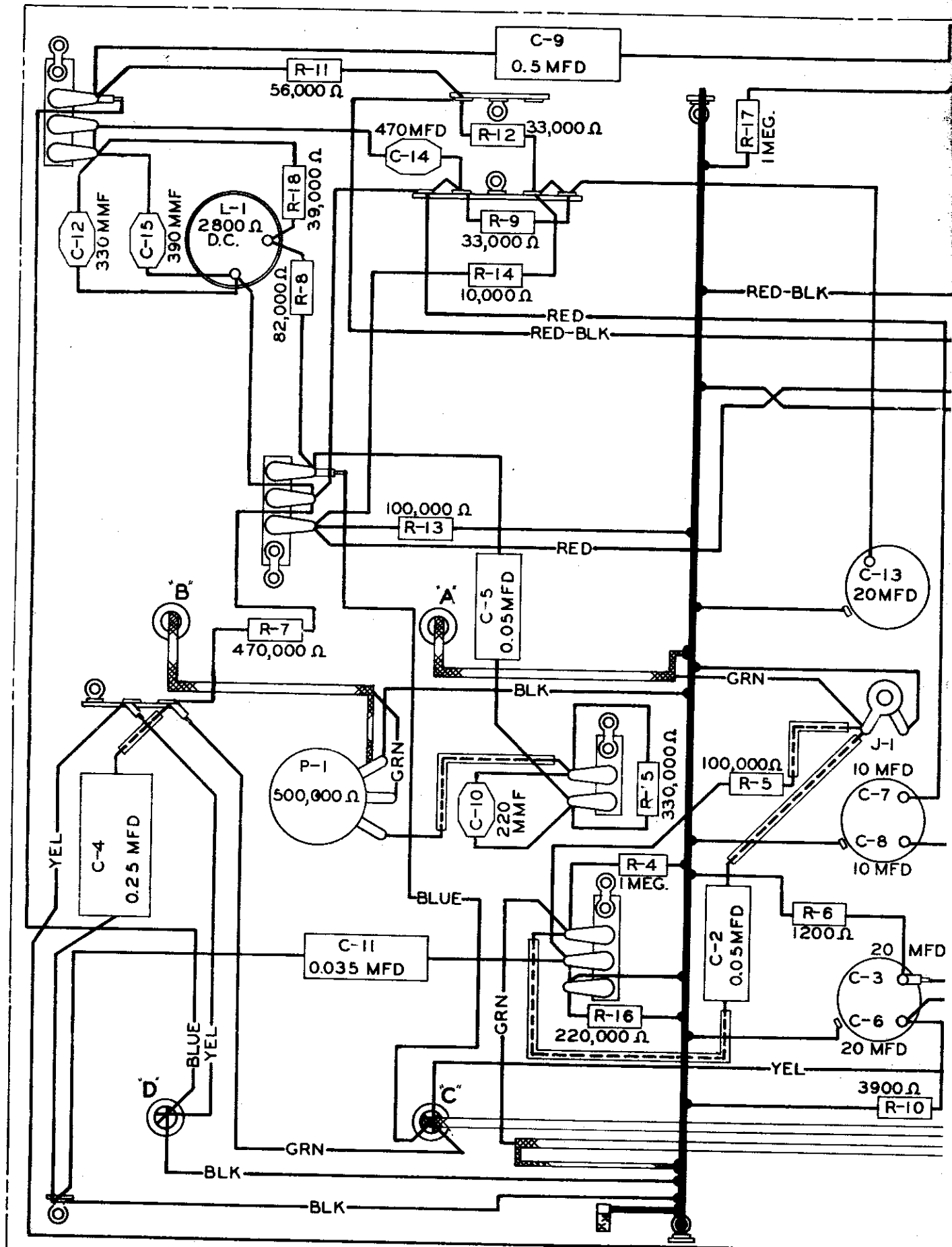
Radiotron No.	Plate MA	Plate Volts	Screen Grid Volts	Cathode Volts	Heater Volts	Rect. Heater Volts to Gnd
MI-9204						
1. RCA-1820	.6	115	21	0.9	6.3	--
2. RCA-1820	1.2	110	110	4.0	6.3	--
MI-9356-A						
1. RCA-1820	2.0	120	120	4.0	6.3	--
2. RCA-1822	45-50	305	264	18.0	6.3	--
3. RCA-5U4-G	--	--	--	--	5.0	340
Ter. Brd. "B +"			240 volts D.C.			
All voltages read to ground except Filament Voltages						

Trademark "Radiotron"
 Reg. U.S. Pat. Off. by RCA Mfg. Co., Inc.



MI-9204 P-170668-0

FIGURE 1 - MI-9204 SCHEMATIC



REAR VIEW OF BASE

NOTE: EYELETS ARE LETTERED.

