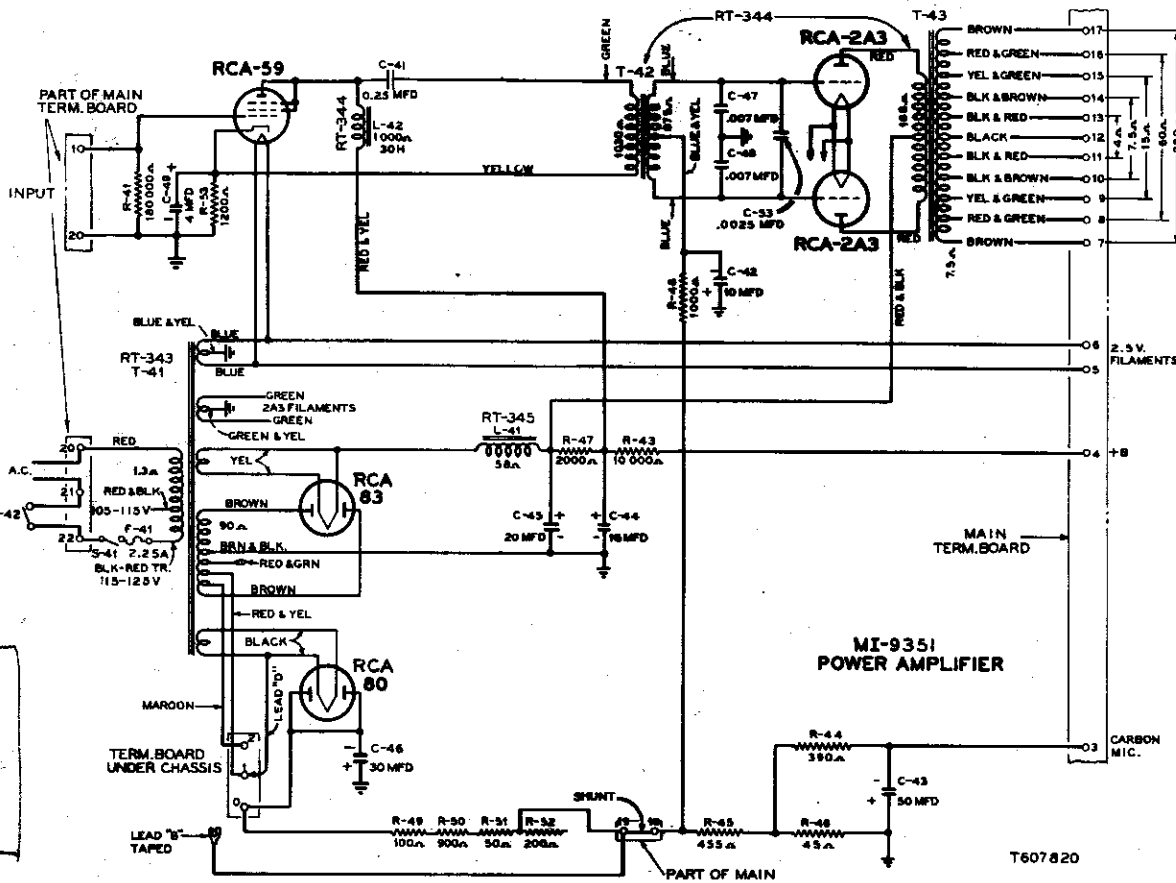


MI-9327  
VOLTAGE AMPLIFIER



MI-9351  
POWER AMPLIFIER

No. OF SPEAKERS	CONNECT "B" TO TERMINAL	CONNECT "B" TO TERMINAL TAPE	TERMINAL No. 18 & No. 19 SHORT AS SHOWN
NONE	1	0	REMOVE SHORT CONN. ONE FIELD
1	1	0	REMOVE SHORT CONN. TWO FIELDS IN SERIES
2	2	0	

CONNECTIONS SHOWN FOR NO LOUDSPEAKER FIELD.

Figure 1 - Schematic Circuit Diagram - MI-9327 & MI-9351